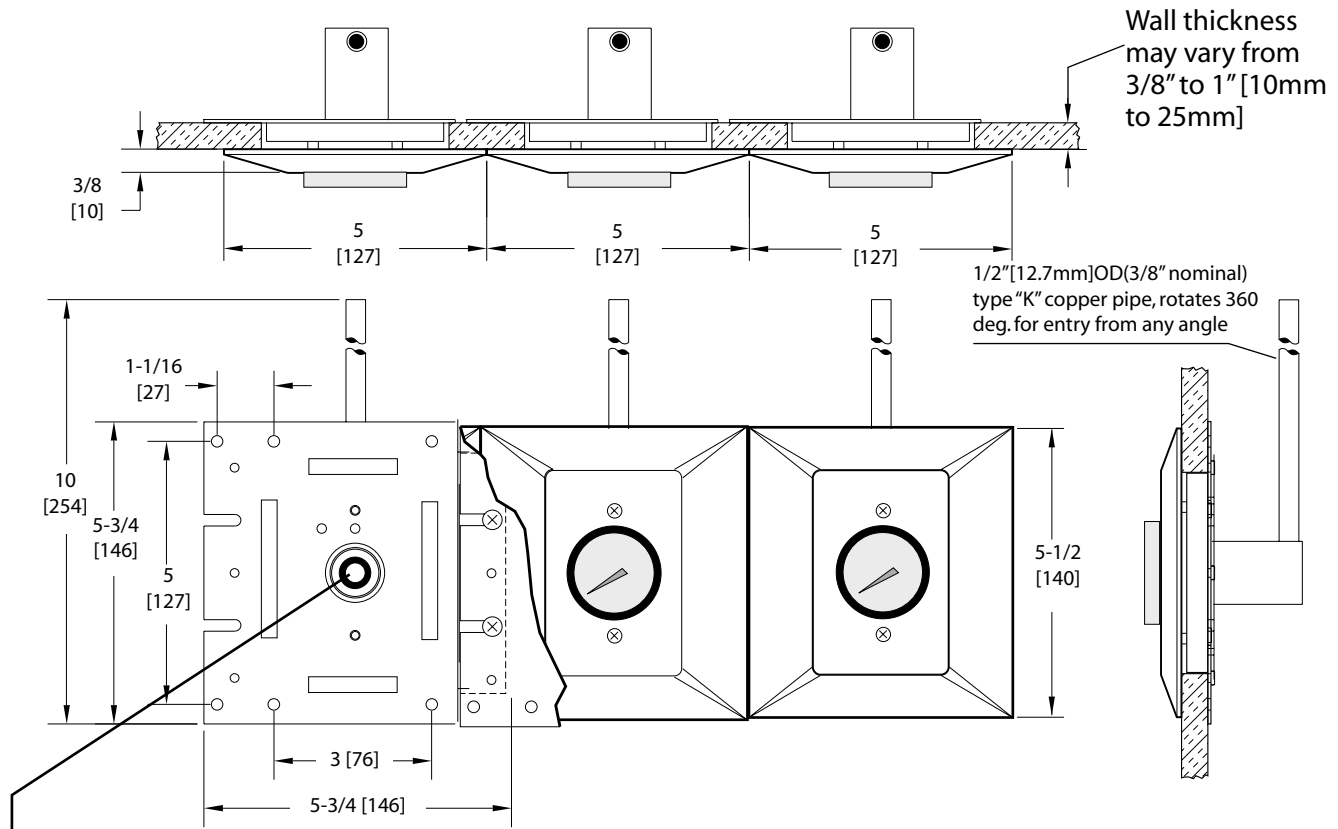


Inch
[mm]



NOTE: Suction inlets are not supplied with a secondary check valve. A pressure plug is provided for testing purposes, rated at 150 psi [1,034 kPa]

NOTE: Amico recommends that you have a blank space between outlets and slides. Maximum 3 outlets may be ganged together without additional support.

model numbers

O-GAWAL-L-XXX

The L defines the language:

- U = English (NFPA)
- E = English (CSA)
- F = French (CSA)
- S = Spanish (NFPA)

Example:

Oxygen NFPA = O-GAWAL-U-OXY

The XXX defines the Gas:

- | | | |
|----------------|---|-----|
| Oxygen | = | OXY |
| Medical Air | = | AIR |
| Nitrogen | = | NIT |
| Carbon Dioxide | = | CO2 |
| Nitrous Oxide | = | N2O |
| MedVac | = | VAC |

project

represented by: