

## specifications

The medical gas outlet shall be an Amico Alert-1 series.

The Passive Outlets shall be manufactured with a 7 - 1/4" [184mm] length type "K" 7/8" [22mm] outside diameter, 3/4" nominal size copper inlet pipe stub, which is silver brazed to the outlet body. Suction inlets are not supplied with a secondary check valve. A pressure plug is provided for testing purposes, rated at 150psi [1,034kPa]. Outlets bodies shall be gas specific by indexing each gas service to a gas specific dual pin indexing arrangement on the respective identification module.

A large color coded front plate shall be used for ease of gas identification and aesthetic appeal.

A one piece chromed fascia plate shall frame the outlet. With the back rough-in mounted, the outlet shall adjust from 3/8" [10mm] to 1" [25mm] variation in wall thickness.

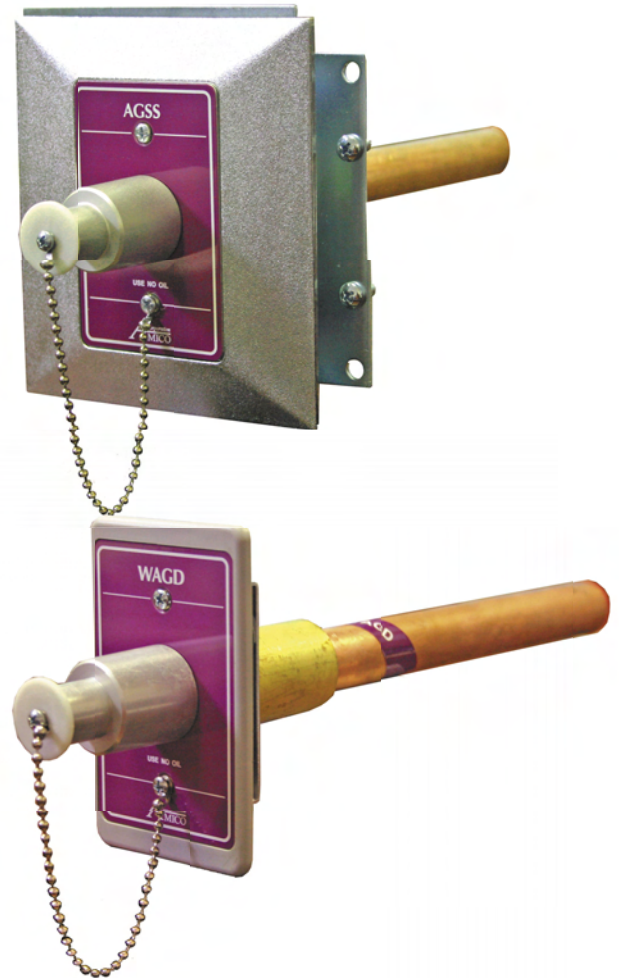
The outlet shall be of modular design and include a gas specific 16ga [1.6mm] steel mounting plate designed to permit on-site ganging of multiple outlets, in any order, on 5" [127mm] spacing.

The Passive Front Latch-Valve Assembly is assembled with an aluminum adapter, which accommodates 19/33mm hose.

All M.R.I outlets are manufactured from nonferrous materials.

All outlets shall be cleaned and degreased for medical service, factory assembled and tested.

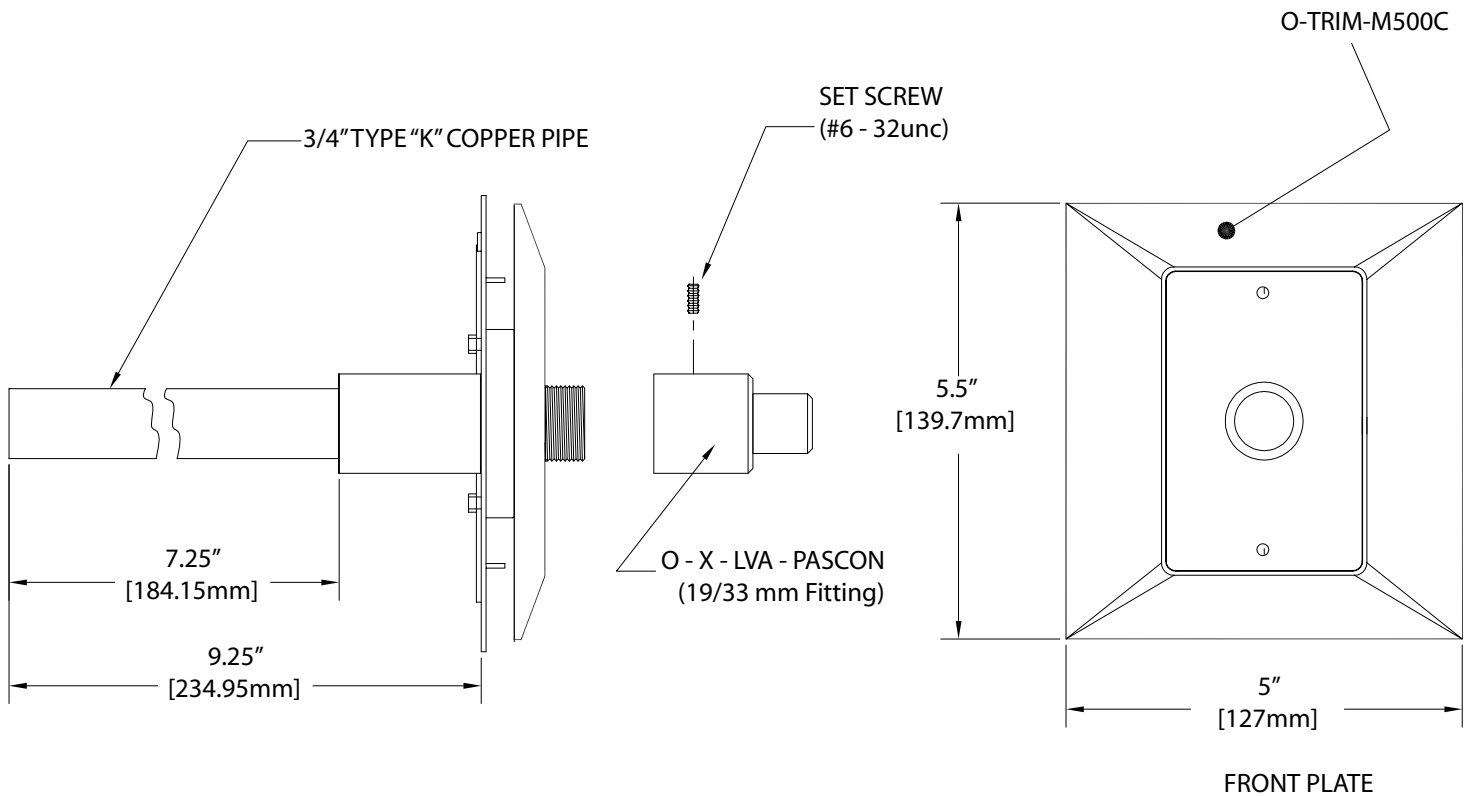
Amico products comply with NFPA-99



## features

- ▶ Flow rate exceeds the requirements of NFPA and CSA
- ▶ 100% Hydrostatic testing of each outlet and cleaned for medical gas service
- ▶ Indexed to eliminate interchangeability of gas services
- ▶ Up to 1" [25mm] wall thickness adjustment
- ▶ Outlets are also available for M.R.I use **project**

# passive evacuation ceiling outlet - (WAGD) (AGSS)



## NOTE:

Passive suction inlets are not supplied with a secondary check valve. A pressure plug is provided for testing purposes, rated at 150 psi [1,034 kPa]

## model numbers

### Labeling

AGSS (Anesthetic Gas Scavenging System) - CSA/ISO Standard  
WAGD (Waste Anesthetic Gas Disposal) - NFPA/US Standard

### Front Latch Assembly Only

O-FASC-PAS-E-AGS  
O-FASC-PAS-U-WAG

### Back Wall Ceiling Station Outlets

O-BAKCEI-PAS-E-AGS  
O-BAKCEI-PAS-U-WAG

### Back Console Ceiling Station Outlets

O-BAKCCOL-PAS-E-AGS  
O-BAKCCOL-PAS-U-WAG

### Passive Wall Ceiling Station Outlets

O-PASCEI-E-AGS  
O-PASCEI-U-WAG

### Passive Console Ceiling Station Outlets

O-PASCCOL-E-AGS  
O-PASCCOL-U-WAG

represented by: