

# specifications

Zone valve boxes shall be an Amico Alert-1 series.

Each recessed zone valve box shall consist of the following components: A steel valve box which can house one to seven shut-off ball valves with tube extensions, an aluminum frame, and a pull-out removable opaque window. Gauges are optional. The terminal strips are provided with the box. The sensors and DISS fittings are provided with the alarm.

The valve box shall be constructed of 18 gauge steel complete with a baked white enamel finish. Affixed to the opposing sides of the box will be two adjustable steel brackets for the purpose of mounting the box to the structural support. The steel brackets shall accommodate various finished wall thicknesses between 3/8" [9.5 mm] and 1-3/16" [30 mm] and shall be field adjustable.

The frame assembly shall be constructed of anodized aluminum and shall be mounted to the back box assembly by standard number 6, 3/8" tapping screws as provided. The removable front shall consist of an opaque window with a pull-out ring pre-mounted to the centre of the window.

Access to the zone shut-off valves shall be by merely pulling the ring assembly to remove the window from the frame. The window can be reinstalled without the use of tools only after the valve handles have been returned to the open position.

The window shall be marked to prohibit unauthorized persons from tampering with the valves with the following silk-screen caution:

**"MEDICAL GAS CONTROL VALVE CLOSE ONLY IN EMERGENCY"**

The Valve shall be 3 piece ball-type design with a bronze body and a chrome plated brass ball. Seats shall be Teflon (TFE) and seals Viton. A blow-out proof stem shall be used and the valve shall have a maximum pressure rating of 600 psi [4,137 kPa].



Valves shall be operated by a lever-type handle requiring only a quarter turn from a fully open position to a fully closed position.

All valves shall be equipped with type "K" washed and degreased copper pipe stub extensions of sufficient length to protrude beyond the sides of the box.

Each valve shall be supplied with an identification bracket which shall be riveted to the valve box for the purpose of applying an approved medical gas identification label. A package of labels shall be supplied with each valve box assembly for application by the installer.

Amico products comply with NFPA-99.

project

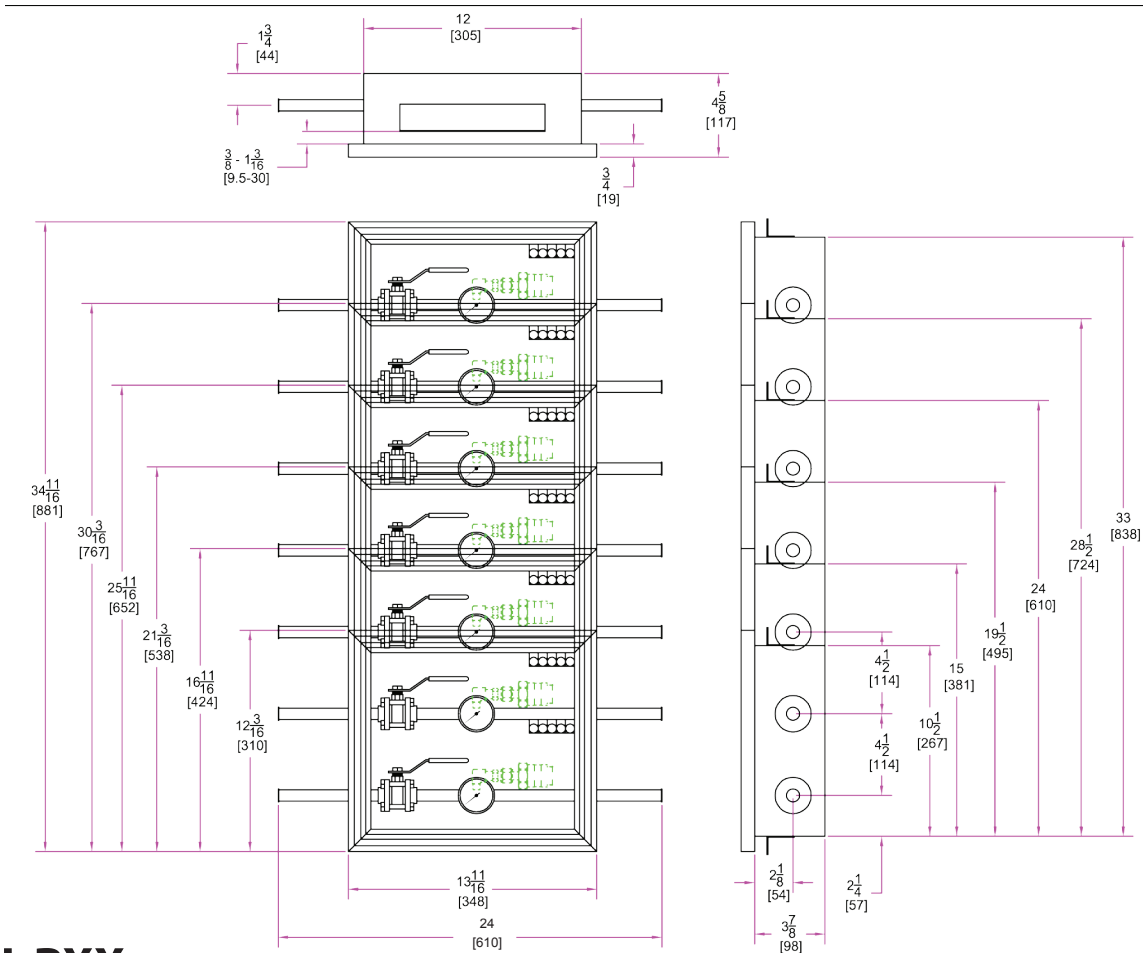
---



---



---



## VBU-PXX

Replace "XX" with the valve size required:

- 1/2" = 05
- 3/4" = 07
- 1" = 10
- 1-1/4" = 12
- 1-1/2" = 15
- 2" = 20

## Part Number

A2X-AVC-ELBOW

(1/8 NPT street elbow, used between sensor DISS fittings and shut off valve - ordered separately.)

**NOTE:** Terminal strips are provided and installed. DISS demand checks and sensors are provided with alarm. For the 2" size valve, the valve box will be 6 1/2" deep and 15" wide.

represented by: