

specifications

The medical gas Retro-Fit outlet shall be an Amico Alert-1 series.

Outlets shall be equipped with a primary and secondary check for positive pressure for gas services. The secondary check valve shall be rated at a maximum of 200 psi [1,379 kPa] in the event the primary check valve is removed for maintenance. Outlet bodies shall be gas specific by indexing each gas service to a gas specific single pin indexing arrangement on the respective identification module.

A large color coded front plate shall be used for ease of gas identification and aesthetic appeal.

A one piece filler frame and chrome trim plate shall frame the outlet.

The latch-valve assembly shall be Ohmeda Diamond™ (Ohio Medical) Quick Disconnect compatible and accept only corresponding Ohmeda type gas specific adapters or any of the compatible outlets manufactured by Amico.

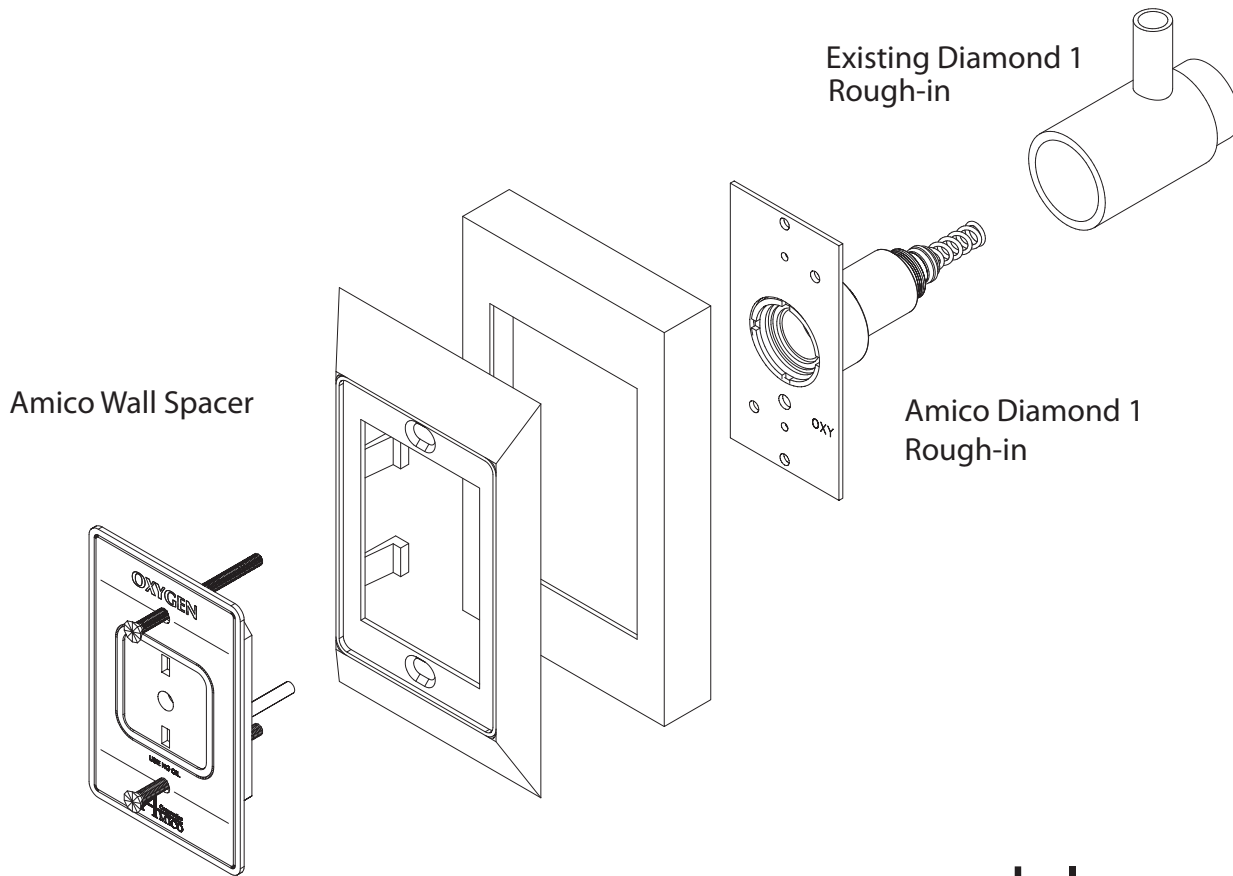
Amico products comply with NFPA-99.



features

- Flow rate exceeds the requirements of NFPA and CSA
- Accepts Ohmeda Diamond™ and DISS gas specific adapters depending on the type ordered
- 100 % Hydrostatic testing of each outlet and cleaned for medical gas service
- Indexed to eliminate interchangeability of gas services
- Universal rough-in assembly to accept Quick Disconnect or DISS front adapters (Can be interchanged at any time)

project



model numbers

Complete Conversion Kit:

O-OH1-XX-L-X-S

The S defines satin finish

Connection Type:

DI = DISS (Diameter Index Safety System)

QD = Ohmeda (Quick Connect)

The L defines the language:

U = English (NFPA)
Oxygen, Medical Air, Medical
Vacuum, and Waste Anesthetic
Gas Disposal only

E = English (CSA/ISO)

F = French (CSA/ISO)

The X defines the gas:

O = Oxygen

A = Medical Air

V = MedVac

2 = Nitrous Oxide

N = Nitrogen*

C = Carbon Dioxide**

W = Waste Anesthetic Gas
Disposal (NFPA)

AG = Anesthetic Gas
Scavenging System (CSA)

* Available in DISS connection type only

** Available in Ohmeda and DISS connection types only

represented by: