

specifications

The retractable electrical receptacle shall be an Amico Alert-1 series.

The finished assembly consists of the following:

- a one piece chrome fascia plate
- an etched and clear anodized plate
- the appropriate electrical device as indicated

The hose assembly shall be customizable in length.

The receptacle can be wall or ceiling mounted.

All receptacles and plugs shall be factory assembled and tested.

Amico products comply with NFPA-99.



Electrical Twist Receptacle

- 2P3W, 20A 125V, Non-Nema, Phenolic, Back Wired, Black

Hose Retractor

- The retractor wire is manufactured out of 48" stainless steel heavy duty cable.

Twist Lock Plug

- 2P3W, 20A 125V, Non-Nema, Nylon Cover, Thermo set Interior, Black

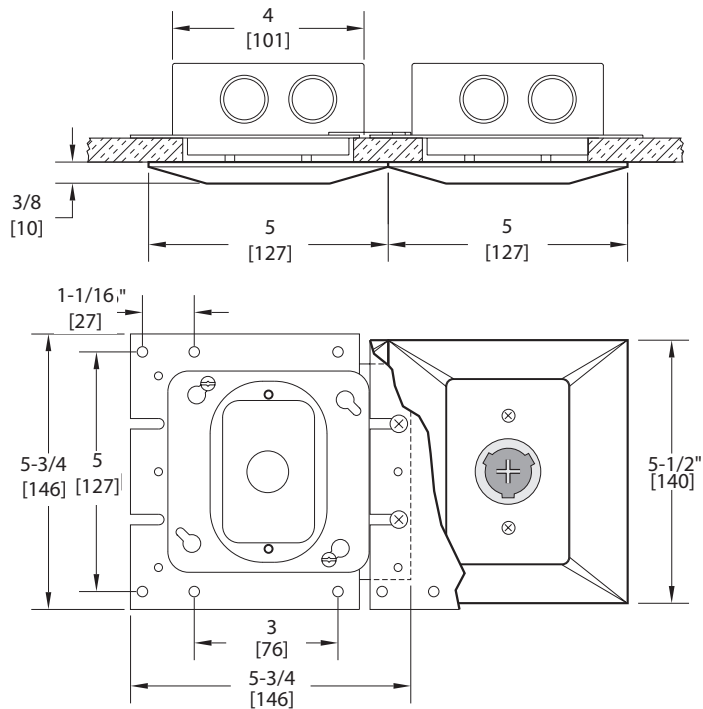
Twist Lock Connector Body

- 2P3W, 20A 125V, Non-Nema, Nylon cover, Thermo set Interior, Black

Note:

- Cord clamp range for plug and connector is .300" to .650" (7.6 to 16.5)
- Cable is 12 AWG 3/C - 40C
SOW 90°C - Synthetic Rubber Insulation
Thermoset Jacket 90°C, 600 Volts

retractable electrical receptacle

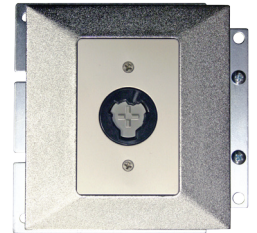


Inch
[mm]

model numbers

Electrical Twist Receptacle (HG) 20A Blk

O-WAL-TWIST



Cable Assembly - Twist M*F - 4', 5', 8', 12' or 16' Long

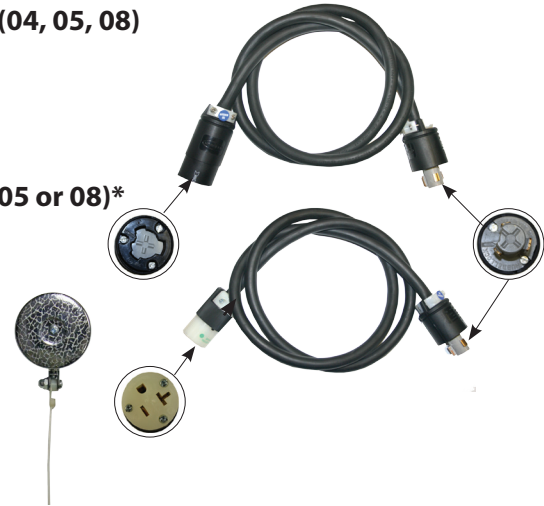
O-TWIST-CABLE-DUB-XX (04, 05, 08)

Cable Assembly - Twist M*F Simplex - 5' or 8' Long

O-TWIST-CABLE-SIM-XX (05 or 08)*

Cable Retractor Heavy Duty

S-HOSE-RET-HD



* The XX defines the length.

NOTE: Electrical/blanks can be ganged together with wall outlets.

represented by: