

specifications

For mounting over a Console Unit (sold separately).

Security console box shall be an Amico Alert-1 Series.

Each recessed security console box is supported by a galvanized steel bracket, which shall be attached to the structural wall by means of four screws (not supplied by Amico).

The fascia front assembly of the console box is made from extruded, clear anodized aluminium, for a clean appearance. The back box is made from galvanized steel, 0.06" thick.

The medical gas piping terminates as blank capped ends 5" above the console back box.

All specified devices are factory installed in the console backbox. The electrical devices are separated, but they are not pre-wired.

The console box shall be constructed of 16 gauge steel finish. Affixed to the opposing sides of the box will be two adjustable steel brackets for the purpose of mounting to structural support. The steel brackets shall accommodate various finished wall thicknesses of between 3/8" and 1 - 1/4" and shall be field adjustable.

The security door frame assembly shall be constructed of stainless steel and shall be mounted to the wall by standard screws. The door assembly shall be manufactured from stainless steel and attached to the frame with a stainless steel hinge. Access to the console shall be by opening the stainless steel door by means of a lock and key.

NOTE: Exact dimensions are to be determined by the customer.

The console is UL Listed to U.S. and Canadian safety standards.

Amico products comply with NFPA-99.



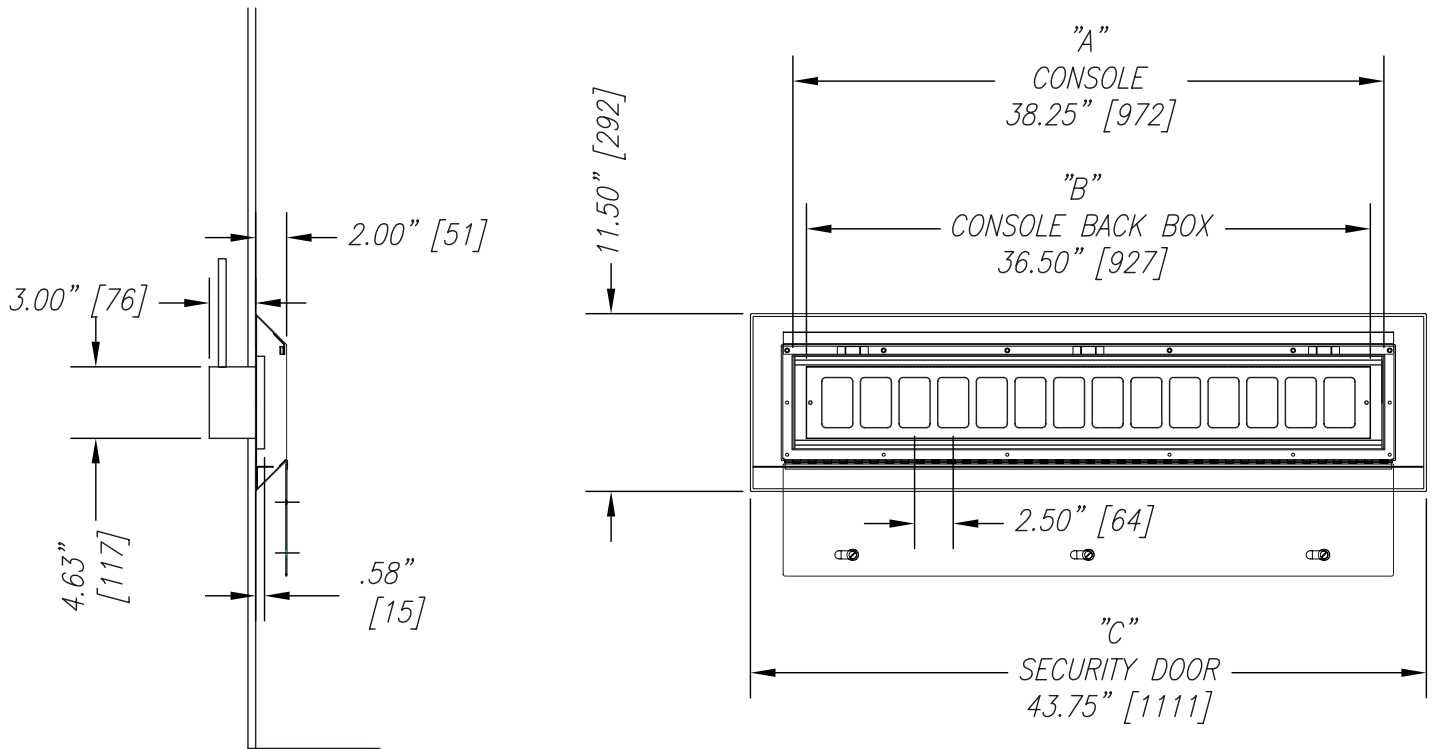
features

- Removable front fascia for ease of maintenance and installation
- Single cutout dimension for all accessories (outlets & electrical devices) are on a 2.5" centre
- Security front frame is made out of stainless steel and shall be lockable

project

dimensions

inch
[mm]



NOTE: The table below shows the unit lengths based on the number of gangs in the console unit (the first row is "inches" and the row below is the corresponding length in "mm").

| # of gangs | 3 | 4 | 5 | 6 | 7 | 8 | 9 | 10 | 11 | 12 | 13 | 14 | 15 |
|--------------------------------|-------|-------|-------|-------|-------|-------|-------|-------|-------|-------|-------|-------|-------|
| Length "A" of front | 10.75 | 13.25 | 15.75 | 18.25 | 20.75 | 23.25 | 25.75 | 28.25 | 30.75 | 33.25 | 35.75 | 38.25 | 40.75 |
| | 273 | 337 | 400 | 464 | 527 | 591 | 654 | 718 | 781 | 845 | 908 | 972 | 1035 |
| Length "B" of console back box | 9 | 11.5 | 14 | 16.5 | 19 | 21.5 | 24 | 26.5 | 29 | 31.5 | 34 | 36.5 | 39 |
| | 229 | 292 | 356 | 419 | 483 | 546 | 610 | 673 | 737 | 800 | 864 | 927 | 991 |
| Length "C" of security door | 16.25 | 18.75 | 21.25 | 23.75 | 26.25 | 28.75 | 31.25 | 33.75 | 36.25 | 38.75 | 41.25 | 43.75 | 46.25 |
| | 413 | 476 | 540 | 603 | 667 | 730 | 794 | 857 | 921 | 984 | 1048 | 1111 | 1175 |

represented by: