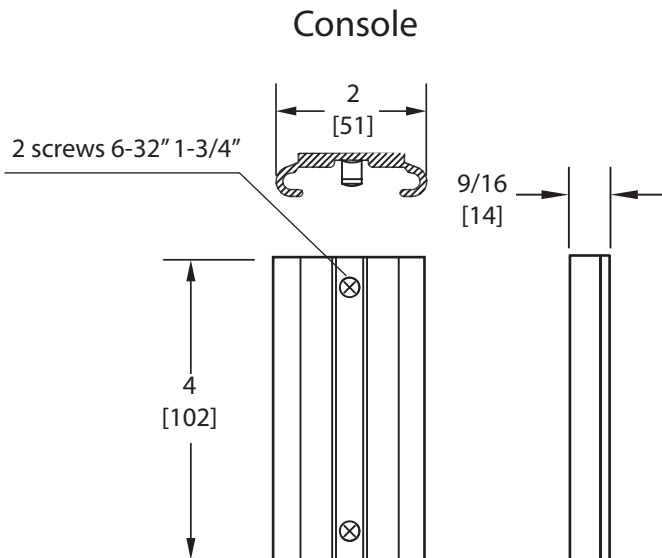


- NOTES:** a) Slide brackets can be ganged together with wall outlets  
b) Amico recommends that you have a blank space between outlets and slides

## model numbers



Wall Slide:  
Console Slide:

**O-WALSLIDE**  
**O-CONSLIDE**

Materials of Construction

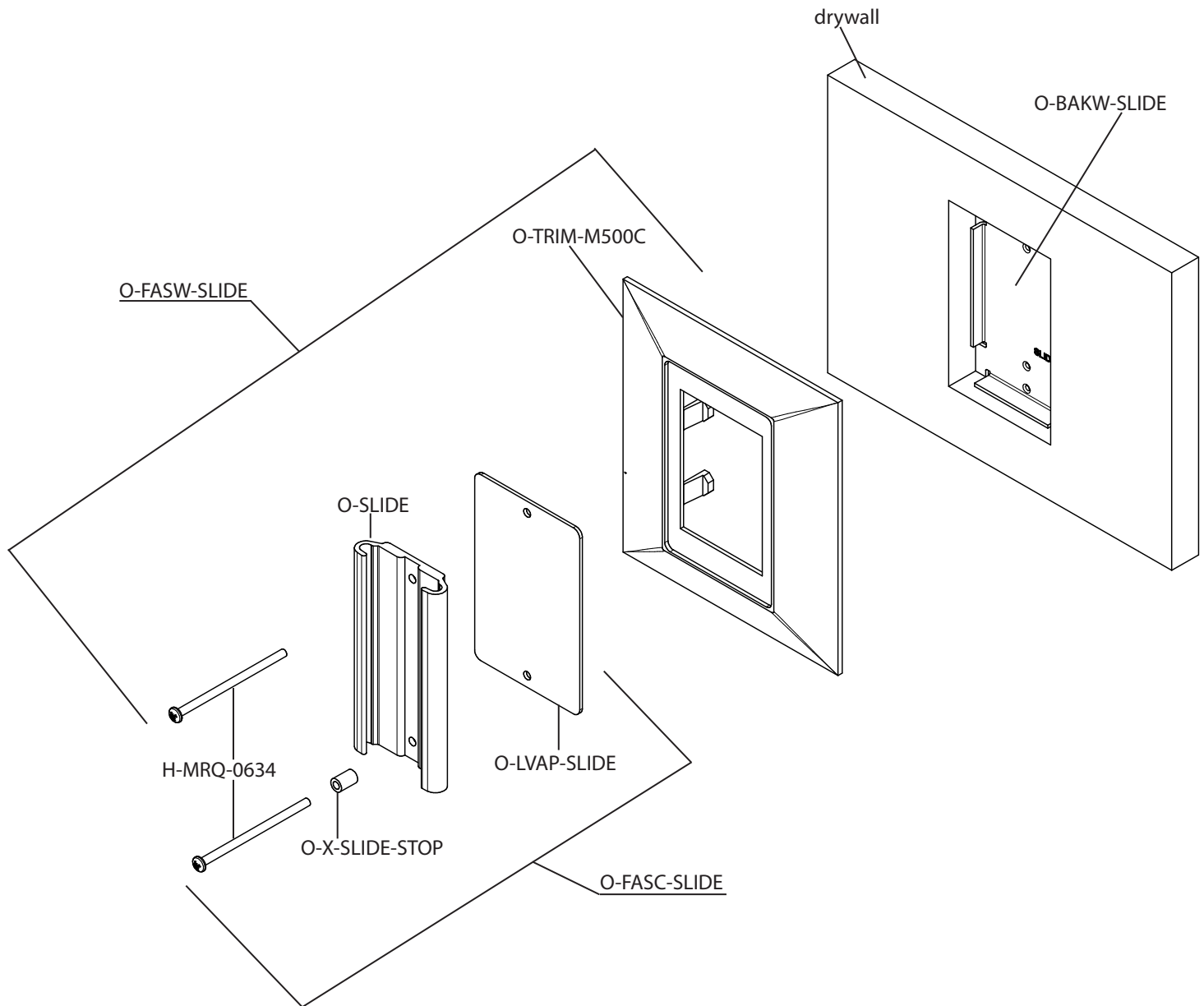
Slide:  
Stopper:  
Screws:  
Cover Plate:  
Back-Assembly:

Anodized Aluminium  
Nylon  
Plated Steel  
Chrome plated ZINC  
Plated Steel

Available for M.R.I.  
Wall Slide (M.R.I):  
Console Slide (M.R.I)

**O-WALSLIDE-M**  
**O-CONSLIDE-M**

# assembly drawing



**NOTE:** before installing the bottom screw and slide stopper. Remove and discard the black O-ring.

represented by: