

## NFPA 99 Compliant Duplex Lubricated Rotary Vane Medical Vacuum Package 7.5 HP Base Mount with Single Point Connection

### Vacuum Package

- Fully compliant with the latest edition of NFPA 99
- Two lubricated rotary vane type vacuum pumps with inlet filter and isolation valve for each
- Two motors
- ASME coded vertical air receiver with bypass and manual drain
- Duplex control panel with automatic lead/lag controls
- All components completely pre-piped and pre-wired to single point service connections
- Vibration isolation mountings
- Liquid tight conduit, fittings and junction boxes for all control and power wiring
- All interconnecting piping and wiring is completed and operationally tested prior to shipment

### Vacuum Pump

- Lubricated rotary vane pump
- Three non-metallic, non-asbestos vanes with minimum life of 30,000 hrs.
- Direct-driven through a shaft coupling
- Air-cooled
- End (ultimate) vacuum = 29.3" Hg
- Integral, fully recirculating oil supply
- Spin-on oil filter
- High discharge temperature switch
- Oil drain valve assembly with temperature gauge
- Integral oil separation system with three stage oil and smoke eliminators capable of removing 99.9+% of particles from the exhaust gas stream
- Built-in, anti-suck-back valve mounted at the pump inlet
- Inlet filter for removal of particulates
- Shipped with initial charge of pump fluid

### Vacuum Motor

- NEMA rated
- C-face
- TEFC
- 208 or 230/460V 3-phase

### Intake Piping

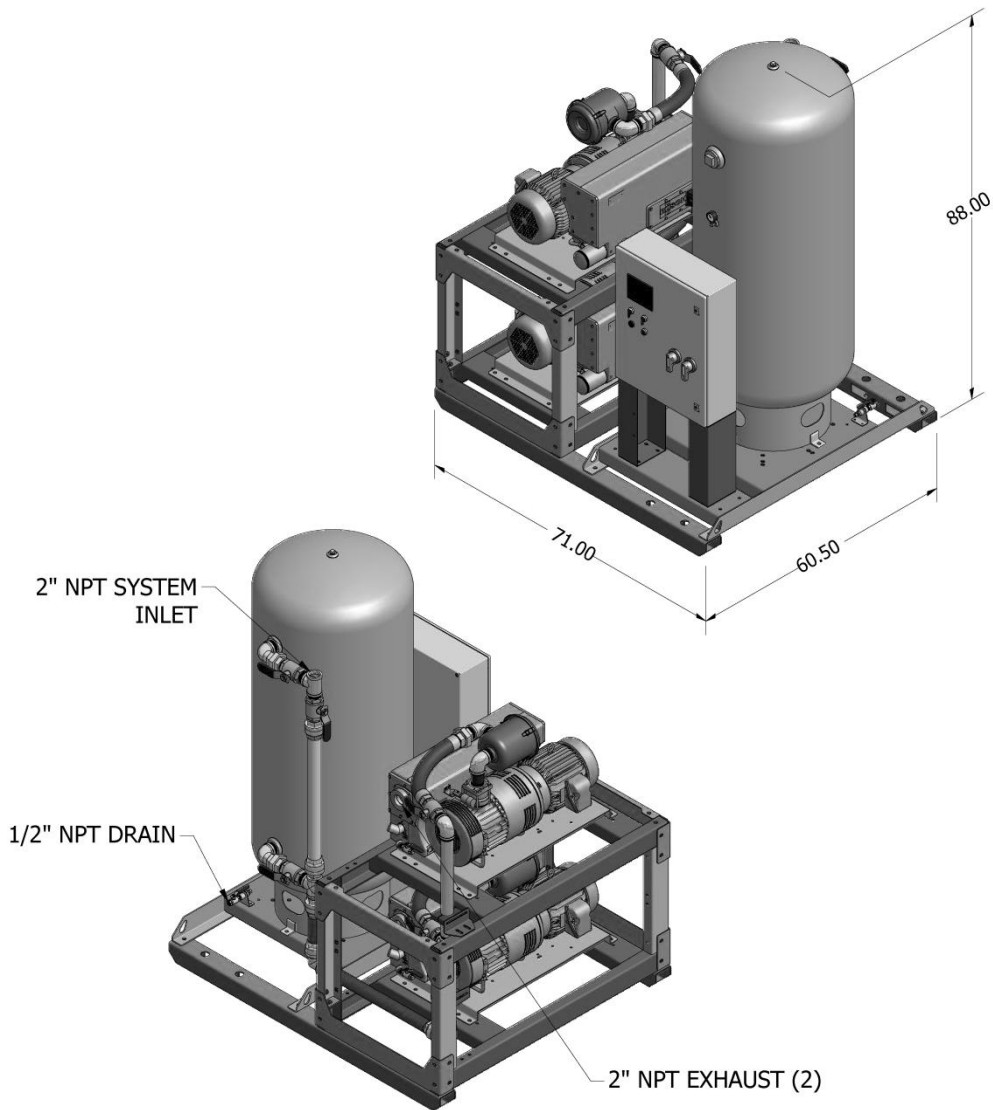
- Vacuum pumps are connected to a common manifold and piped to a vertical receiver
- Inlet check valve on each pump
- Inlet isolation valve on each pump
- Flexible connectors between pumps and receiver
- Flexible connectors for discharge connections

### Vacuum Receiver

- Vertical orientation with integrally mounted bypass and manual drain
- ASME Code stamped
- National Board Certified
- Rated for a minimum 200 PSIG design pressure
- Vacuum gauge
- Manual drain

### Control System

- Mounted and wired duplex control system
- NEMA 12 and U.L. labeled
- HMI (Human Machine Interface) – touch screen display
  - + vacuum display
  - + runtime display
  - + alarm history display
  - + troubleshooting guidelines display
  - + maintenance schedule and history display
  - + service indicator
  - + replacement parts display
  - + battery backup for history display
- Automatic lead/lag sequencing
- Circuit breaker disconnects for each motor with external operators
- Full voltage motor starters with overload protection
- 120V control circuit transformers for each motor circuit
- Visual and audible reserve unit alarm with isolated contacts for remote alarm
- Hand-off-auto selector switches
- Automatic alternation of all vacuum pumps based on a first-on/first-off principle with provisions for simultaneous operation if required
- Automatic activation of reserve unit if required
- Visual and audible alarm indication for high discharge temperature shutdown with isolated contacts for remote alarm



| Duplex Lubricated Rotary Vane Medical Vacuum Package Specifications <sup>1</sup> |     |                               |               |                             |                            |                          |            |        |        |                |
|--|-----|-------------------------------|---------------|-----------------------------|----------------------------|--------------------------|------------|--------|--------|----------------|
| System Model No.   | HP  | Capacity @19" Hg <sup>2</sup> |               | Package BTU/HR <sup>3</sup> | Receiver Gal. <sup>4</sup> | Noise Level <sup>5</sup> | System FLA |        |        | Package Weight |
|  |     | Pump (SCFM)                   | System (SCFM) |                             |                            |                          | A 208V     | B 230V | C 460V |                |
| 72-23-074A   | 7.5 | 52                            | 52            | 19,128                      | 200                        | 79                       | 44         | 42     | 21     | 2345           |
| 72-23-074B   |     |                               |               |                             |                            |                          |            |        |        |                |
| 72-23-074C   |     |                               |               |                             |                            |                          |            |        |        |                |

Notes:

<sup>1</sup> Normal Operating conditions at a maximum ambient of 105° F. Consult factory for higher ambient conditions.

<sup>2</sup> Capacities are shown as NFPA system capacities (reserve vacuum pump on standby).

<sup>3</sup> Package BTU/HR are shown with the reserve pump on standby.

<sup>4</sup> Receivers of 200 gallon capacity are standard

<sup>5</sup> Noise levels are shown in dB(A) and reflect one pump running.

**Statement of Warranty**

**Patton's Medical** warrants all Medical Vacuum packages, to be free of defects in material and workmanship under normal use for a period not to exceed thirty (30) months from date of shipment, or twenty-four (24) months from date of start-up.