

Smaller is Big (and big is smaller)

The Problem:

Whether it's a large healthcare facility or a small surgery center, floor space is valuable. In a retrofit situation, maneuvering a replacement system into position among existing equipment is tough.

With that in mind, Patton's Medical chose to go up instead of out with our new Space Saver Scroll package.

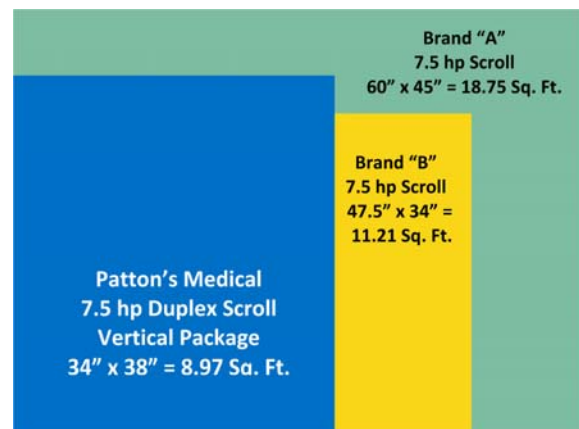
The Solution:

- Available from 2 through 7.5 hp
- NFPA 99 compliant
- 34" W x 38" L x 79" H
- HMI "Touch Screen" controls – Signal 1
- Galvanized Receiver
- Purge controlled desiccant dryers
- Single Point Connections for the intake, discharge and electrical connections
- Vibration isolation (seismic available)
- Accessibility for maintenance
- Lower dB(A)'s

In addition, you won't find a smaller duplex 7.5 hp medical air system on the market. You said you needed a small reliable package and we listened.

Innovation our competitors can only copy.

For more information, see our specification pages under Medical Air Systems, Scroll and look for the Space Saver Scroll products.



7.5 Scroll units are not offered by Brands "C", "D" or "E".



Creating Medical Gas Solutions...for Life

Smaller is Big (and big is smaller)

The Problem:

Whether it's a large healthcare facility or a small surgery center, floor space is valuable. In a retrofit situation, maneuvering a replacement system into position among existing equipment is tough.

With that in mind, Patton's Medical chose to go up instead of out with our new Space Saver Scroll package.

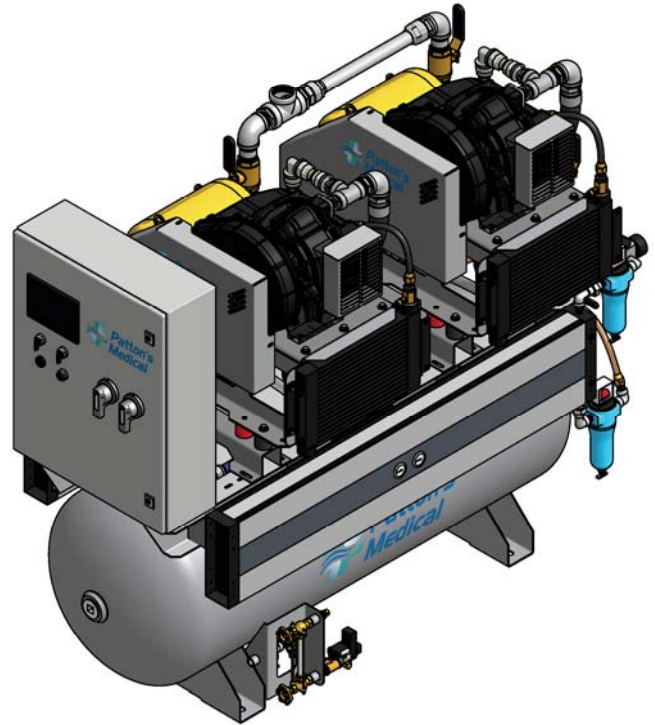
The Solution:

- Available from 2 through 10 hp
- NFPA 99 compliant
- 34" W x 77" L x 61" H
- HMI "Touch Screen" controls – Signal 1
- Galvanized Receiver
- Purge controlled desiccant dryers
- Single Point Connections for the intake, discharge and electrical connections
- Vibration isolation (seismic available)
- Accessibility for maintenance
- Lower dB(A)'s

In addition, you won't find a smaller duplex 10 hp medical air system on the market. You said you needed a small reliable package and we listened.

Innovation our competitors can only copy.

For more information, see our specification pages under Medical Air Systems, Scroll and look for the Space Saver Scroll products.



Brand "A" 10 hp Scroll 67" x 77" = 35.83 Sq. Ft.

Brand "B" 10 hp Scroll
62" x 66" = 28.42 Sq. Ft.

Patton's Medical
10 hp Duplex Scroll
Space Saver Package
34" x 77" = 18.18 Sq. Ft.

10 hp Scroll units are not offered by other Brands.



Creating Medical Gas Solutions...for Life

Smaller is Big (and big is smaller)

The Problem:

Whether it's a large healthcare facility or a small surgery center, floor space is valuable. In a retrofit situation, maneuvering a replacement system into position among existing equipment is tough.

With that in mind, Patton's Medical chose to go up instead of out with our new Space Saver Scroll package.

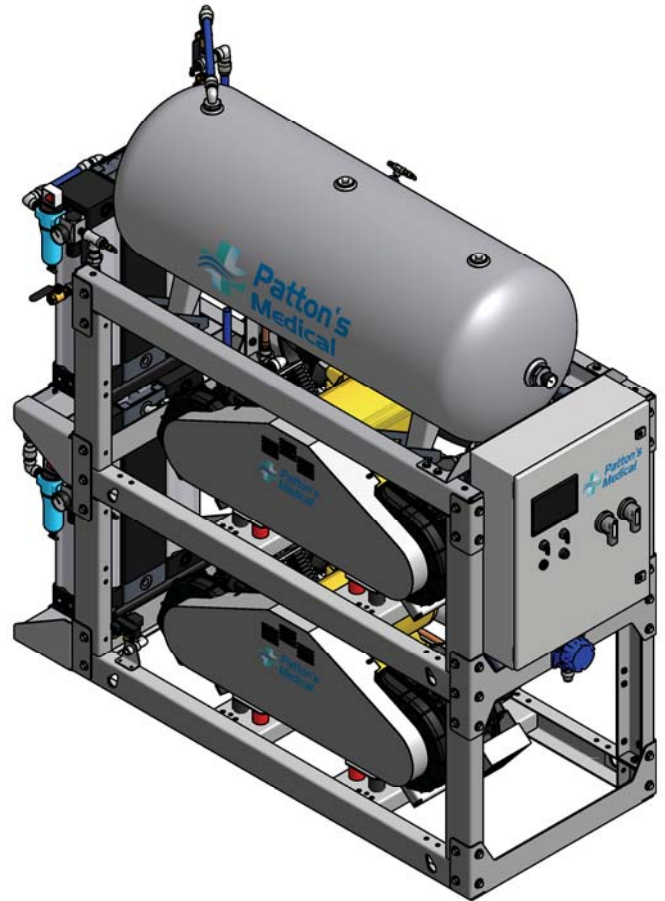
The Solution:

- Available from 15 through 20 hp
- NFPA 99 compliant
- 34" W x 88" L x 85" H
- HMI "Touch Screen" controls – Signal 1
- Galvanized Receiver
- Purge controlled desiccant dryers
- Single Point Connections for the intake, discharge and electrical connections
- Vibration isolation (seismic available)
- Accessibility for maintenance
- Lower dB(A)'s

In addition, you won't find a smaller duplex 15 or 20 hp medical air system on the market. You said you needed a small reliable package and we listened.

Innovation our competitors can only copy.

For more information, see our specification pages under Medical Air Systems, Scroll and look for the Space Saver Scroll products.



20 hp Duplex Scroll units are not offered by other Brands.



Creating Medical Gas Solutions...for Life