

Pressure Switch With Gauge - Nitrous Oxide Reserve

General Specifications:

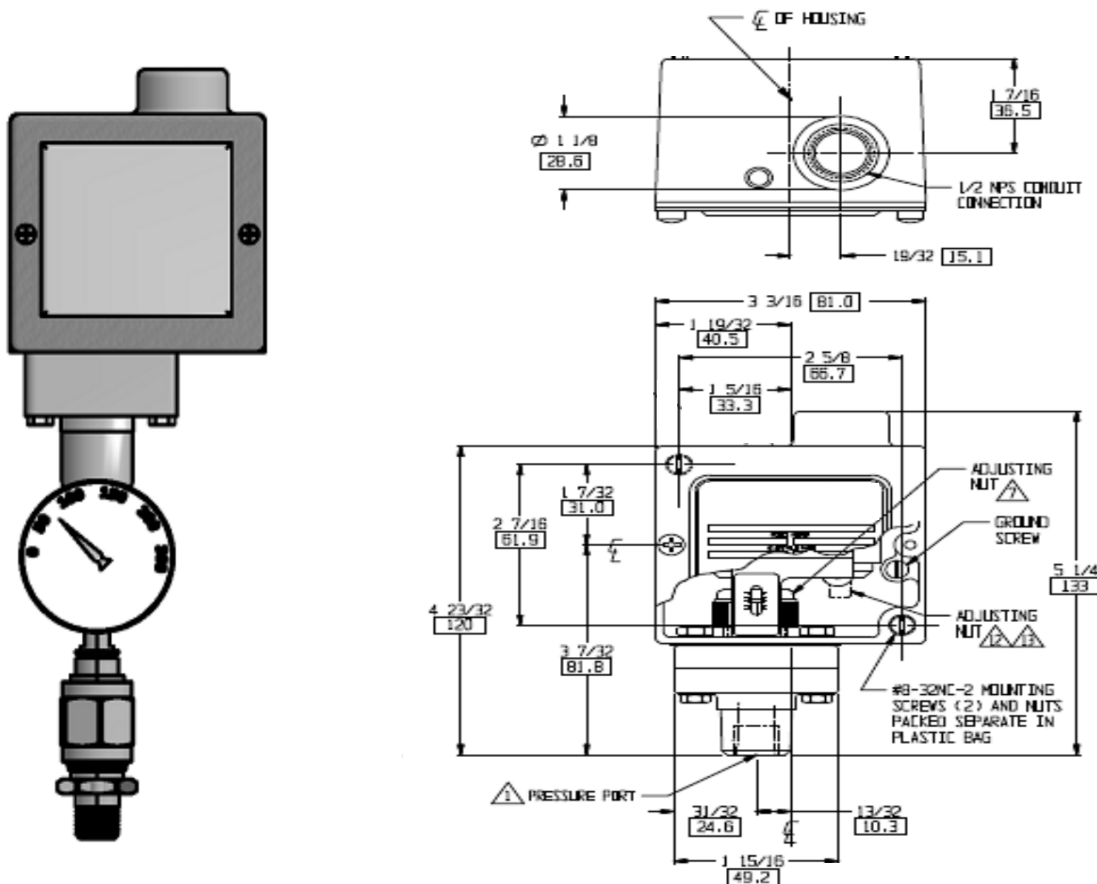
The Pressure Switch Gauge Assembly for the medical gas alarm system will incorporate a U.L. Listed single pole double throw snap-action switch. Electrical connections are made through a 1/2" conduit connection to screw terminals on the switch. The switch may be wired Normally open or Normally closed. Electrical rating will be 10 amps at 120 volt AC.

The pressure switch has a proof pressure of 1000 psi with an adjustable range of 10 to 230 psi decreasing pressure or 11 to 250 psi increasing pressure.

The switch enclosure will have a Nema 4 water tight housing with a 1/4" NPT bottom inlet gas service line connection, and 1/2" NPT top inlet conduit.

A pressure gauge with 2" dial will be incorporated after the pressure switch. A gas specific DISS nut and nipple will be attached to the gauge.

The Pressure Switch Gauge Assembly will then be mounted directly to a gas specific DISS demand check onto the pipeline. The demand check will have a 1/4" Male NPT connection.



Pressure Switch Gauge Assembly	
M1-PRSW-G-NORES	Nitrous Oxide Reserve

Statement of Warranty

Patton's Medical warrants all Products, to be free of defects in material and workmanship under normal use for a period not to exceed twenty-four (24) months from date of shipment.