

Header Bars

General Specifications:

Header Bars shall be a High-Pressure modular assembly. All header bars and pigtails shall be cleaned for oxygen.

Each Header Bar shall be equipped with a master valve to be placed on the left and right bank, outside the Manifold cabinet to shut off the gas in emergency situations. Each inlet port shall be equipped with a gas specific check valve to permit changing of cylinders without gas leakage.

Flexible Stainless Steel pigtails will be provided for each cylinder gas connection except for Oxygen & Helium. Rigid Copper pigtails will only be provided for Oxygen & Helium. The standard length for all pigtails will be 36".

NOTE: Header bar assemblies greater than 5 X 5 will include wall mounting brackets as a standard feature.

Features:

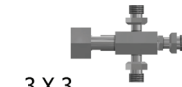
- CGA gas specific header bar
- Multiple Configurations available; such as Straight, Staggered, U, and L shaped layouts.
- Standard 36" pigtails
- Modular Configuration



1 X 1 (W/ MASTER VALVE)



2 X 2



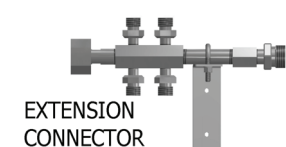
3 X 3



4 X 4



5 X 5



EXTENSION CONNECTOR

Model Numbers

M1-HBXX-XX-XXX

"BS" = Staggered c/w Stainless Pigtails
 "BC" = Staggered c/w Copper Pigtails

The "XX" defines the number of cylinders:

- 02 = 2 Cylinder (1 x 1)
- 04 = 4 cylinders (2 x 2)
- 06 = 6 cylinders (3 x 3)
- 08 = 8 Cylinders (4 x 4)
- 10 = 10 Cylinders (5 x 5)
- 12 = 12 Cylinders (6 x 6)
- 14 = 14 Cylinders (7 x 7)
- 16 = 16 Cylinders (8 x 8)
- ETC...

*** EXAMPLE 6 X 6**

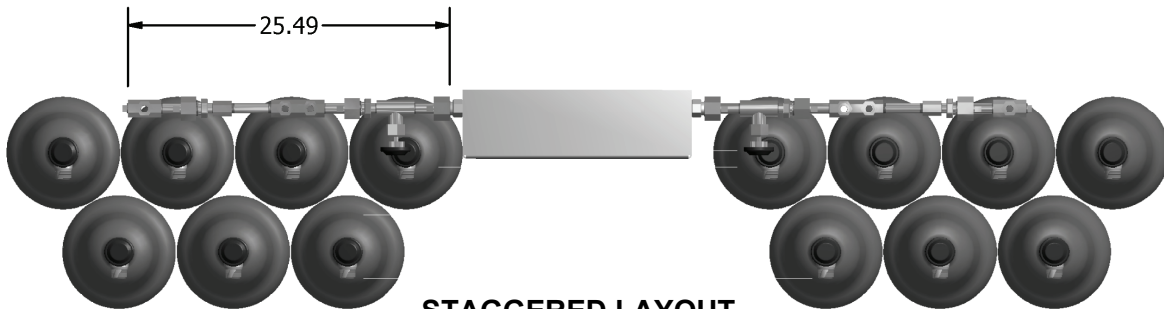


MASTER VALVE EXTENSION CONNECTOR 2 X 2

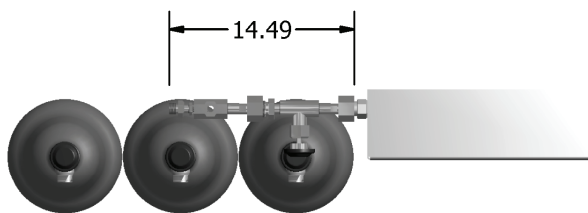
The "XXX" Defines the Gases:

- Oxygen = OXY
- Medical Air = AIR
- Nitrous Oxide = N2O
- Nitrogen = NIT
- Carbon Dioxide = CO2
- Argon = ARG
- Helium = HEL
- MIX = MIX

Technical Specifications:



STAGGERED LAYOUT
(Example) M1-HBBS-14-AIR



STRAIGHT LAYOUT
(Example-) M1-HBBS-06-AIR

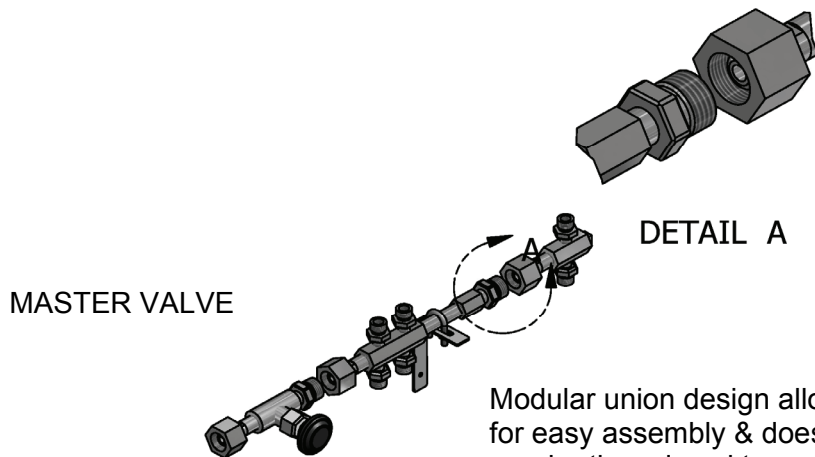


L-LAYOUT
(Example-) M1-HBBS-06-AIR
(Elbow connection) M1-HBEL

NOTE:

- Dimensions are based on approximate distances
- Wall mounting brackets are standard
- All header bars & pigtails shall be cleaned for oxygen
- Header Bars are designed to allow cylinders to be placed underneath the manifold where applicable

| HEADER BAR LENGTHS (ONE SIDE) | | | | | | | | | | | | | | |
|-------------------------------|----|----|----|----|----|----|----|----|----|----|----|----|----|----|
| # of cylinders per bank | 1 | 2 | 3 | 4 | 5 | 6 | 7 | 8 | 9 | 10 | 11 | 12 | 13 | 14 |
| Header bar length (inches) | 12 | 12 | 15 | 15 | 16 | 26 | 27 | 27 | 29 | 38 | 40 | 40 | 52 | 51 |

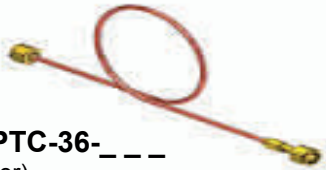


Modular union design allows for easy assembly & does not require thread seal tape.

HEADER BAR ACCESSORIES

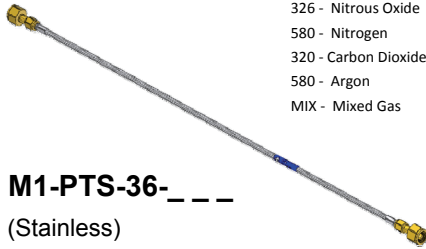
PIGTAIL CONNECTIONS

540- Oxygen
580- Helium



M1-PTC-36-__ _
(Copper)

346 - Medical Air
326 - Nitrous Oxide
580 - Nitrogen
320 - Carbon Dioxide
580 - Argon
MIX - Mixed Gas



M1-PTS-36-__ _
(Stainless)

For Lengths other than 36",
contact Patton's Medical

Cryogenic Pigtails

M1-PTY-72-__ _
(Stainless)

295 - Argon & Nitrogen
440 - Oxygen

ELBOW CONNECTION

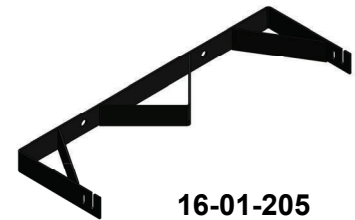


M1-HBEL

CYLINDER WALL MOUNTING BRACKETS

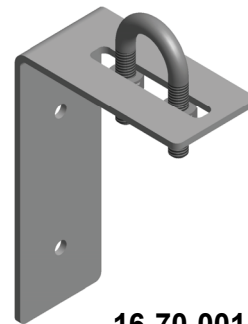


16-01-206



16-01-205

HEADER BAR WALL MOUNTING BRACKETS



16-70-001

**FLOOR STAND HEADER BAR
MOUNTING BRACKETS**

16-70-003

